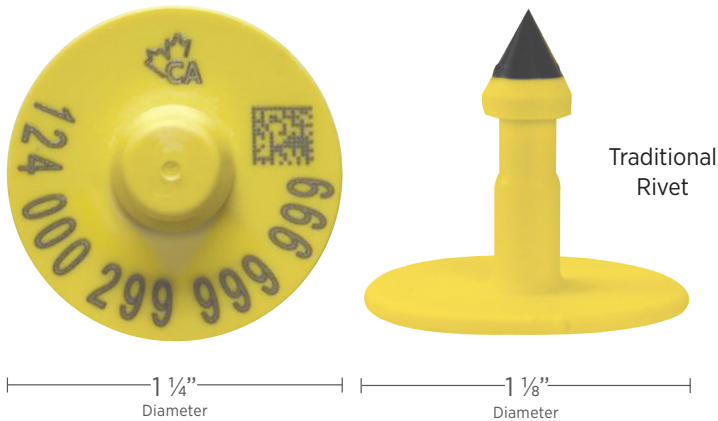




# ComfortEar<sup>®</sup> Radio Frequency Identification Tags (RFID) by DATAMARS

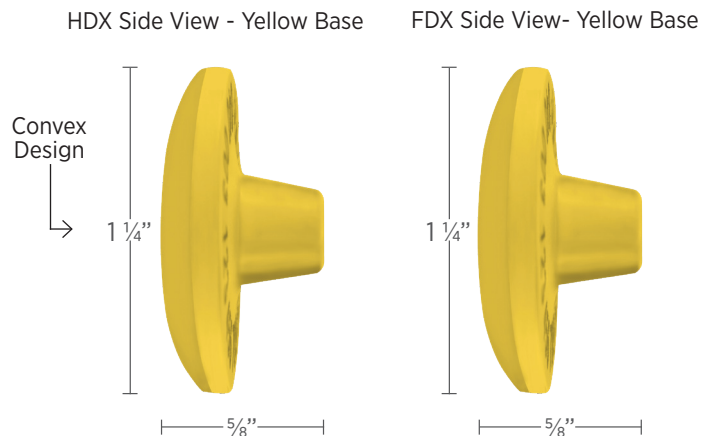


Approved by the CCIA



## 2 Technologies Available

Full Duplex - FDX and Half Duplex - HDX



ComfortEar<sup>®</sup> offers you everything you look for in a state-of-the-art RFID ear tag.

### Superior Readability

Industry-leading read distance, depending on reader quality and environmental factors.

### ICAR Approved

Meets standards established by the International Committee for Animal Recording (ICAR), the worldwide organization of animal recording and productivity evaluation.

### ISO Compliant

Conforms to standards established by the International Organization for Standardization (ISO) - the world's foremost developer of quality standards.

### Convex Tamper Evident Design

Convex tag base designed for animal comfort and healing. CCIA approved tamper-evident design ensures security in livestock management programs.

### Easy Application

Both our Z2 No-Tear-Tagger<sup>®</sup> and Herdsman II assure fast, easy and foolproof application while eliminating torn ears.

### Technical Specifications

- Dimensions: Shown
- Weights: FDX-B - 6.85 grams, HDX - 7.24 grams, Rivet - 1.8 grams
- Compliance: ISO 11784, 11785
- Frequency: 134.2 kHz
- Technology: FDX-B / HDX
- Printing: Laser
- Read Range: Up to several feet - dependent on reader quality and environment
- Rivets included

Tagger: Apply with Herdsman II or the Z2 No-Tear-Tagger<sup>®</sup>

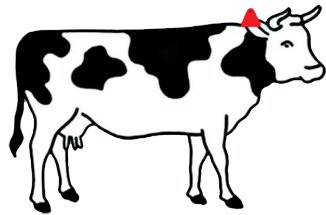


**FREE!**  
TAGGER OFFER  
ON REVERSE SIDE

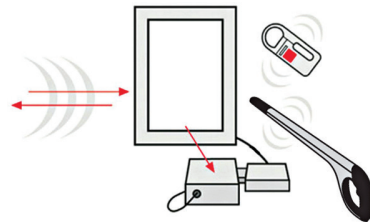
**How Radio Frequency Identification Works**

Our livestock ID portfolio can greatly improve livestock tracking and identification processes to assist with traceability and disease control for the farming, ranching, feedlot and animal harvest industries. Unique ID systems for livestock management – including RFID – simplify full life cycle tracking of production animals and facilitate daily data collection for accurate, simplified recording. Unique ID systems make it easier to track animals from birth to harvest in compliance with food safety and traceability regulations.

1. Apply RFID tags to your animals.



2. Read RFID numbers to track individual animals using portable hand held readers or stationary antennas.



3. Use software to integrate data seamlessly to your livestock management system.



**DATAMARS**

1110 Industrial Blvd, Temple, TX 76504-1130 • 800-433-3112 • ztags.com  
 © 2018 DATAMARS, Inc. Temple Tag and Z Tags are registered trademarks of DATAMARS, Inc.

**Z Tags** **FREE TAGGER OFFER**



Z2 NO-TEAR-TAGGER™

**PURCHASE 100 TAGS AND RECEIVE (1) ONE FREE Z2 NO-TEAR-TAGGER™**

Return completed form and proof of purchase to: Datamars, Inc., 1110 Industrial Blvd, Temple, TX 76504-1130 or call 800-433-3112 with questions.

Name: \_\_\_\_\_

Address: \_\_\_\_\_

City, ST, Zip: \_\_\_\_\_

Phone: \_\_\_\_\_

Email: \_\_\_\_\_

**Program Details:** Offer good to first time Z Tags customers only. Customers will receive one free, Z2 No-Tear-Tagger™ with the purchase of ComfortEar® tags. Limit one per household, family or address. Mail copy of dated receipt showing quantity purchased along with completed coupon to address above postmarked by August 1, 2018. Allow 6-8 weeks for processing.